

Screw pumps – POF series

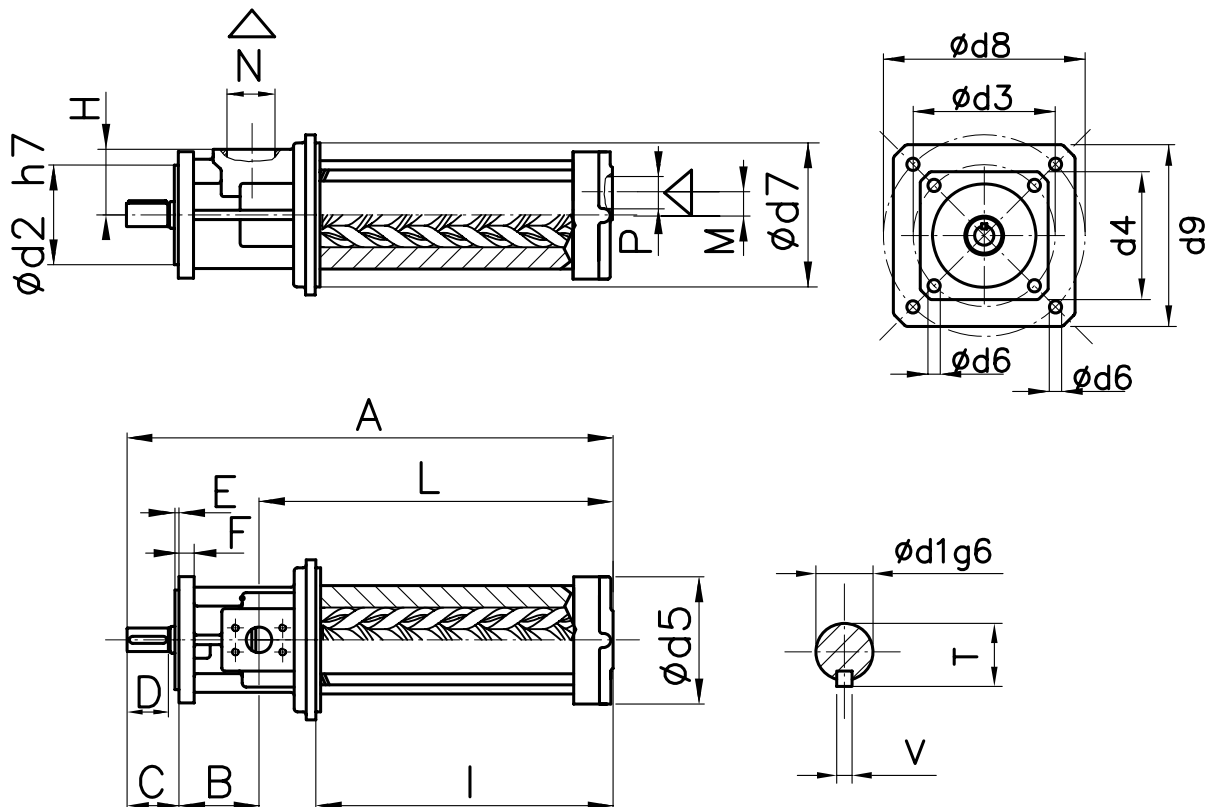
Balanced idler spindles

For hydraulic oils, lubricating oils

Admissible delivery pressure (continuous) = 120 bar at 2900 rpm

Main field of application:

Industrial general purpose, high pressure range



NF - STE - POF - GB - 02 - 08 - 2

Dimensional chart (mm)

MODELLO	A	B	C	D	E	F	H	I	L	M	N	P	T	V	d1	d2	d3	d4	d5	d6	d7	d8	d9
											SAE												
POF025#6...	397	76	43	35	7	15	74,5	207	278	25	1"	1"	21,5	6	19	100	125	140	136	11	140	160	160
POF029#6...	397	76	43	35	7	15	74,5	207	278	25	1"	1"	21,5	6	19	100	125	140	136	11	140	160	160
POF032#6...	441	76	43	35	7	15	74,5	251	322	25	1"	1"	21,5	6	19	100	125	140	136	11	140	160	160
POF040#6...	530	96	49	40	7	15	81	315	386	25	1½"	1½"	24,5	6	22	125	160	152	178	13	180	215	200
POF045#6...	583	96	49	40	7	15	81	361	440	30	1½"	1½"	27	8	24	125	160	152	178	13	180	215	200
POF055#6...	669	126	64	55	7	15	100	408	479	28	2"	3"	35	10	32	125	160	200	200	13	235	265	265
POF060#6...	726	126	64	55	7	15	100	465	536	28	2"	3"	35	10	32	125	160	200	200	13	235	265	265

SEIM srl
Via A. Volta 17
20090 Cusago (MI) ITALY
Tel. (+39) 02.90.39.21.1
Fax (+39) 02.90.39.21.41
e-mail: seim@seim.it

www.seim.it

SEIM reserves the right to introduce dimensional changes or variation to the products of this technical data